

RoHS

REVISION DATE		
ITEM	DESCRIPTION	DATE
A	Issue	

SPECIFICATION

- Voltage rating: 150V AC, DC
- Current Rating: 1A, AC, DC
- Withstand voltage: 500V AC/minute
- Contact resistance: 10mΩ max
- Insulation resistance: 500MΩ min
- Temperature range: -25° C ~ +85° C

HOUSING

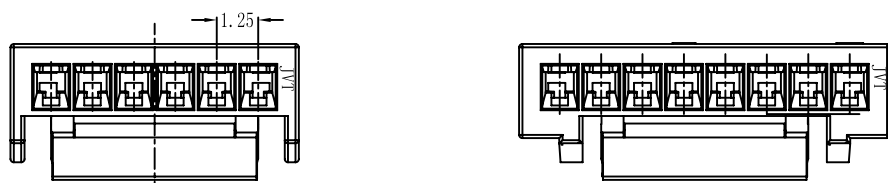
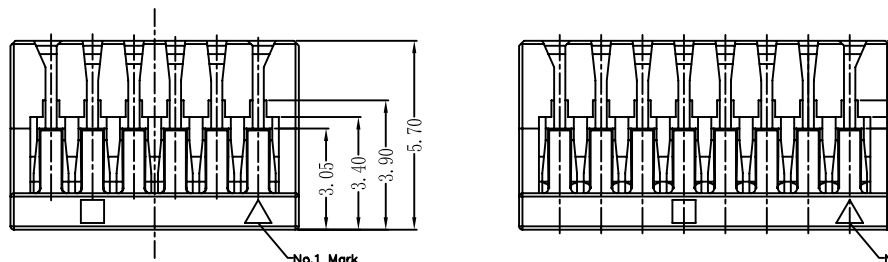
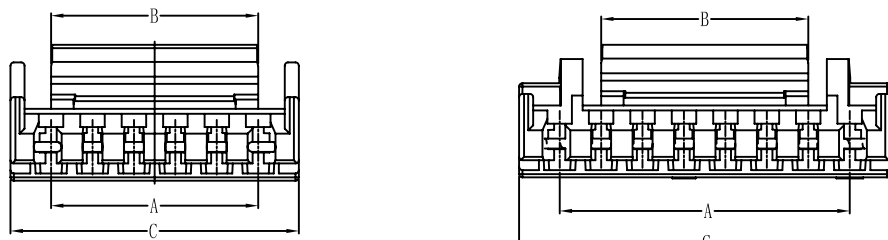
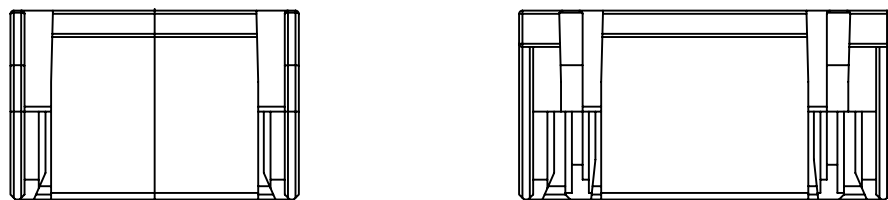
- Material: Nylon 66 UL 94V-0

JVT1257HNO-XXL

logo
系列码
胶壳

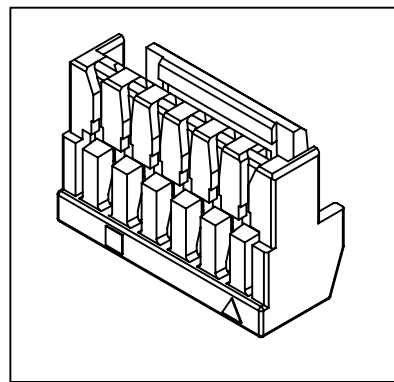
带卡扣
PIN数
PA66 UL94V-0

孔位(Poles)	A	B	C	孔位(Poles)	A	B	C
02	1.25	2.20	3.75	10	11.25	8.20	13.75
03	2.50	3.20	5.00	11	12.50	8.20	15.00
04	3.75	4.25	6.25	12	13.75	8.20	16.25
05	5.00	4.25	7.50	13	15.00	8.20	17.50
06	6.25	6.25	8.75	14	16.25	8.20	18.75
07	7.50	6.25	10.00	15	17.50	8.20	20.00
08	8.75	6.25	11.25	16	18.75	8.20	21.25
09	10.00	6.25	12.50				



2P-7P

8P-16P



投影 (PROJECT)		公差 (TOLERANCE)
单位 (UNIT)	mm	0 ±0.40
比例 (SCALE)	FIT	0.0 ±0.30
版本 (EDITION)	A	0.00 ±0.20
日期 (DATE)	2013 11 14	0.000 ±0.05

东莞市乔业电子有限公司
DONG GUAN CHYAO YEE (JVT) CONNECTORS CO., LTD.

绘图 (DRAWN)	TONY
审核 (CHECKED)	CHEN
核准 (APPROVE)	

品号 (PART NO)	JVT1257HNO-XXL	页次 (PAGE)	
图号 (DRAW NO)	031-1257L-01		1/1
品名 (NAME)	GHR1.25mm HSG WITH LOCK		